



Cat[®] 304

MINI EXCAVATOR

FEATURES:

The Cat[®] 304 Mini Excavator delivers power and performance in a compact size to help you work in a wide range of applications.

ALL DAY COMFORT

- Choose either a canopy (not available in some regions) or a sealed and pressurized cab which can be equipped with air conditioning, adjustable wrist rests, and a suspension seat to help keep you working comfortably all day long.

EASY TO OPERATE

- Controls are easy to use and the intuitive Next Generation LCD monitor provides easy to read machine information. An advanced touchscreen monitor can also be equipped as an upgrade option.

STICK STEER TRAVEL MODE

- Moving around the job site is even easier with the Cat Stick Steer option. Easily switch from traditional travel controls with levers and pedals to joystick controls to move the machine and to operate the blade. The benefit of less effort and improved control is in your hands!

BIG PERFORMANCE IN A SMALL MACHINE

- Strong lift and dig performance helps you get the job done faster. The reduced radius tail swing design provides exceptional stability and performance. With a maximum width of 1700 mm (67 in), the 304 can access those hard to get into areas. Dozer float allows for easy clean up. An angle blade is also an option for finished grading and easier backfilling applications.

SAFETY ON THE JOB SITE

- Your safety is our top priority. The Cat mini excavator is designed to help keep you safe on the job. Courtesy work lights and a fluorescent retractable seat belt are just a couple of the safety features we've built into the machine.

SIMPLE SERVICE FOR LESS DOWNTIME

- Maintenance is quick and easy on the Cat mini excavator. Routine check points are easy to access at ground level through the side doors.

LOWER OPERATING COSTS

- Equipped with features such as auto idle, auto engine shutdown, and efficient hydraulics with a variable displacement pump, the Cat mini excavator was designed with reducing your operating costs in mind.

UNMATCHED DEALER SUPPORT

- Your Cat dealer is here to help you reach your business goals. From providing equipment solutions to operator training to service needs and beyond, your Cat dealer is ready to help.

Specifications

Engine

Engine Model	C1.7 Turbo	
Net Power @ 2,400 rpm		
ISO 9249, 80/1269/EEC	33.6 kW	45.0 hp
Gross Power @ 2,400 rpm		
SAE J1995:2014	36.1 kW	48.4 hp
Bore	84.0 mm	3.3 in
Stroke	100.0 mm	3.9 in
Displacement	1.662 L	101 in ³

- Meets U.S. EPA Tier 4 Final and EU Stage V emission standards.
- Net power advertised is the power available at the flywheel when the engine is at rated speed and rated power when the engine is installed with the factory configured fan, air intake system, exhaust system, and alternator with a minimum alternator load.

Weights

Minimum Operating Weight with Canopy*	3925 kg	8,655 lb
Maximum Operating Weight with Canopy**	4375 kg	9,647 lb
Minimum Operating Weight with Cab*	4025 kg	8,875 lb
Maximum Operating Weight with Cab**	4475 kg	9,867 lb

- *Minimum Weight is based on rubber tracks, operator, full fuel tank, standard stick, straight blade, no bucket and no extra counterweight.
- **Maximum Weight is based on steel tracks, operator, full fuel tank, long stick, straight blade, extra counterweight and no bucket.



304 Mini Excavator

Weight Increase from Minimum Configuration

Counterweight	225 kg	496 lb
Long Stick	30 kg	66 lb
Steel Tracks	195 kg	430 lb
Angle Blade	110 kg	243 lb

Travel System

Travel Speed – High	5.2 km/h	3.2 mph
Travel Speed – Low	3.5 km/h	2.2 mph
Maximum Traction Force – High Speed	19 kN	4,271 lbf
Maximum Traction Force – Low Speed	32.6 kN	7,329 lbf
Ground Pressure – Minimum Weight	28.7 kPa	4.2 psi
Ground Pressure – Maximum Weight	33.8 kPa	4.9 psi
Gradeability (maximum)	30 degrees	

Service Refill Capacities

Cooling System	11.0 L	2.9 gal
Engine Oil	6.0 L	1.6 gal
Fuel Tank	63.0 L	17.0 gal
Hydraulic Tank	52.0 L	14.0 gal
Hydraulic System	65.0 L	17.0 gal

Hydraulic System

Load Sensing Hydraulics with Variable Displacement Piston Pump		
Pump Flow @ 2,400 rpm	96 L/min	25 gal/min
Operating Pressure – Equipment	245 bar	3,553 psi
Operating Pressure – Travel	245 bar	3,553 psi
Operating Pressure – Swing	180 bar	2,611 psi
Auxiliary Circuit – Primary		
Flow*	65 L/min	21 gal/min
Pressure*	245 bar	3,553 psi
Auxiliary Circuit – Secondary		
Flow*	28 L/min	7.0 gal/min
Pressure*	245 bar	3,553 psi
Digging Force – Stick (standard)	21.0 kN	4,721 lbf
Digging Force – Stick (long)	19.2 kN	4,316 lbf
Digging Force – Bucket	38.2 kN	8,588 lbf

*Flow and pressure are not combinable. Under load, as flow rises pressure goes down.

Swing System

Machine Swing Speed	9.0 rpm
Boom Swing – Left	78 Degrees
Boom Swing – Right	50 Degrees

Blade

Width (Straight)	1700 mm	66.9 in
Height (Straight)	360 mm	14.2 in
Width (Angle)	1700 mm	66.9 in
Height (Angle)	360 mm	14.2 in
Angle Blade – Left	25 Degrees	
Angle Blade – Right	25 Degrees	

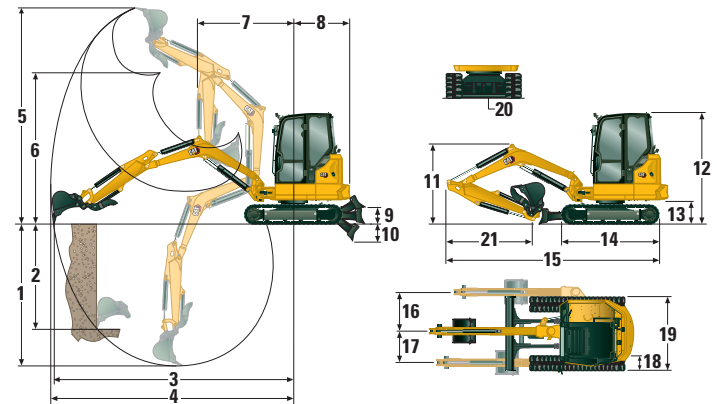
Certification – Cab and Canopy

Roll Over Protective Structure (ROPS)	ISO 12117-2:2008
Tip Over Protective Structure (TOPS)	ISO 12117:1997
Top Guard	ISO 10262:1998 Level I

Sound

Operator Sound Pressure Level (ISO 6396:2008)	76 dB(A)
Exterior Sound Power Level (ISO 6395:2008)	97 dB(A)

• European Union Directive “2000/14/EC”



Dimensions

	Standard Stick	Long Stick
1 Dig Depth	3210 mm (126.4 in)	3510 mm (138.2 in)
2 Vertical Wall	2395 mm (94.3 in)	2535 mm (99.8 in)
3 Maximum Reach at Ground Level	5200 mm (204.7 in)	5445 mm (214.4 in)
4 Maximum Reach	5330 mm (209.8 in)	5570 mm (219.3 in)
5 Maximum Dig Height	5040 mm (198.4 in)	5125 mm (201.8 in)
6 Maximum Dump Clearance	3645 mm (143.5 in)	3740 mm (147.2 in)
7 Boom in Reach	2255 mm (88.8 in)	2340 mm (92.1 in)
8 Tail Swing		
without Counterweight	1205 mm (47.4 in)	1205 mm (47.4 in)
with Counterweight	1307 mm (51.4 in)	1307 mm (51.4 in)
9 Maximum Blade Height	420 mm (16.5 in)	420 mm (16.5 in)
10 Maximum Blade Depth	475 mm (18.7 in)	475 mm (18.7 in)
11 Boom Height in Shipping Position	1620 mm (63.8 in)	1910 mm (75.2 in)
12 Overall Shipping Height	2540 mm (100.0 in)	2540 mm (100.0 in)
13 Swing Bearing Height	557 mm (21.9 in)	557 mm (21.9 in)
14 Overall Undercarriage Length	2210 mm (87.0 in)	2210 mm (87.0 in)
15 Overall Shipping Length†	4950 mm (194.9 in)	4950 mm (194.9 in)
16 Boom Swing Right	730 mm (28.7 in)	730 mm (28.7 in)
17 Boom Swing Left	530 mm (20.9 in)	530 mm (20.9 in)
18 Track Belt/Shoe Width	350 mm (13.8 in)	350 mm (13.8 in)
19 Track Width	1700 mm (66.9 in)	1700 mm (66.9 in)
20 Ground Clearance	305 mm (12.0 in)	305 mm (12.0 in)
21 Stick Length	1395 mm (54.9 in)	1695 mm (66.7 in)

†Overall Shipping Length depends on blade position during shipment.

Cab

Lift Capacities – Minimum Configuration			Lift Point Radius – 3 m (9.8 ft)			Lift Point Radius – 4.5 m (14.8 ft)			Lift Point Radius (Maximum)			
			Over Front			Over Side	Over Front			Over Side	Over Front	
Lift Point Height			Blade Down	Blade Up	Blade Down		Blade Up	Blade Down	Blade Up		Over Side	
3 m (9.8 ft)	Standard Stick	kg (lb)	*941 (*2,075)	*941 (*2,075)	*941 (*2,075)			*698 (*1,539)	*698 (*1,539)	*698 (*1,539)	4.09 (13.4)	
	Long Stick	kg (lb)						*699 (*1,541)	*699 (*1,541)	*699 (*1,541)	4.37 (14.3)	
1.5 m (4.9 ft)	Standard Stick	kg (lb)	*1522 (*3,356)	1213 (2,675)	1031 (2,273)	*1040 (*2,293)	662 (1,460)	573 (1,263)	*698 (*1,539)	*698 (*1,539)	555 (1,224)	4.59 (15.1)
	Long Stick	kg (lb)	*1333 (*2,939)	*1333 (*2,939)	1029 (2,269)	*1008 (*2,223)	652 (1,438)	562 (1,239)	*711 (*1,568)	582 (1,283)	502 (1,107)	4.84 (15.9)
0 m (0 ft)	Standard Stick	kg (lb)	*2006 (*4,423)	1148 (2,531)	969 (2,137)			*846 (*1,865)	656 (1,446)	566 (1,248)	4.46 (14.6)	
	Long Stick	kg (lb)	*1933 (*4,262)	1128 (2,487)	950 (2,095)	*1142 (*2,518)	630 (1,389)	541 (1,193)	*861 (*1,899)	591 (1,303)	508 (1,120)	4.71 (15.5)

Minimum Weight includes cab, rubber tracks, no counterweight, operator, full fuel tank and straight blade.

Lift Capacities – Maximum Configuration			Lift Point Radius – 3 m (9.8 ft)			Lift Point Radius – 4.5 m (14.8 ft)			Lift Point Radius (Maximum)			
			Over Front			Over Side	Over Front			Over Side	Over Front	
Lift Point Height			Blade Down	Blade Up	Blade Down		Blade Up	Blade Down	Blade Up		Over Side	
3 m (9.8 ft)	Standard Stick	kg (lb)	*941 (*2,075)	*941 (*2,075)	*941 (*2,075)			*698 (*1,539)	*698 (*1,539)	*698 (*1,539)	4.09 (13.4)	
	Long Stick	kg (lb)						*699 (*1,541)	*699 (*1,541)	*699 (*1,541)	4.37 (14.3)	
1.5 m (4.9 ft)	Standard Stick	kg (lb)	*1522 (*3,356)	*1522 (*3,356)	1266 (2,792)	*1040 (*2,293)	780 (1,720)	714 (1,574)	*698 (*1,539)	*698 (*1,539)	*698 (*1,539)	4.59 (15.1)
	Long Stick	kg (lb)	*1333 (*2,939)	*1333 (*2,939)	*1333 (*2,939)	*1008 (*2,223)	769 (1,696)	703 (1,550)	*711 (*1,568)	*711 (*1,568)	*711 (*1,568)	4.84 (15.9)
0 m (0 ft)	Standard Stick	kg (lb)	*2006 (*4,423)	1349 (2,975)	1204 (2,655)			*846 (*1,865)	*846 (*1,865)	709 (1,563)	4.46 (14.6)	
	Long Stick	kg (lb)	*1933 (*4,262)	1329 (2,930)	1185 (2,613)	*1142 (*2,518)	748 (1,649)	682 (1,504)	*861 (*1,899)	702 (1,548)	641 (1,413)	4.71 (15.5)

Maximum Weight includes cab, steel tracks, counterweight, operator, full fuel tank and angle blade.

Canopy

Lift Capacities – Minimum Configuration			Lift Point Radius – 3 m (9.8 ft)			Lift Point Radius – 4.5 m (14.8 ft)			Lift Point Radius (Maximum)			
			Over Front			Over Side	Over Front			Over Side	Over Front	
Lift Point Height			Blade Down	Blade Up	Blade Down		Blade Up	Blade Down	Blade Up		Over Side	
3 m (9.8 ft)	Standard Stick	kg (lb)	*941 (*2,075)	*941 (*2,075)	*941 (*2,075)			*698 (*1,539)	*698 (*1,539)	*698 (*1,539)	4.09 (13.4)	
	Long Stick	kg (lb)						*699 (*1,541)	*699 (*1,541)	585 (1,290)	4.37 (14.3)	
1.5 m (4.9 ft)	Standard Stick	kg (lb)	*1522 (*3,356)	1176 (2,593)	1000 (2,205)	*1040 (*2,293)	640 (1,411)	555 (1,224)	*698 (*1,539)	*698 (*1,539)	537 (1,184)	4.59 (15.1)
	Long Stick	kg (lb)	*1333 (*2,939)	*1333 (*2,939)	999 (2,203)	*1008 (*2,223)	630 (1,389)	544 (1,200)	*711 (*1,568)	562 (1,239)	485 (1,069)	4.84 (15.9)
0 m (0 ft)	Standard Stick	kg (lb)	*2006 (*4,423)	1111 (2,450)	939 (2,070)			*846 (*1,865)	634 (1,398)	548 (1,208)	4.46 (14.6)	
	Long Stick	kg (lb)	*1933 (*4,262)	1091 (2,406)	919 (2,026)	*1142 (*2,518)	608 (1,341)	523 (1,153)	*861 (*1,899)	570 (1,257)	490 (1,080)	4.71 (15.5)

Minimum Weight includes canopy, rubber tracks, no counterweight, operator, full fuel tank and straight blade.

Lift Capacities – Maximum Configuration			Lift Point Radius – 3 m (9.8 ft)			Lift Point Radius – 4.5 m (14.8 ft)			Lift Point Radius (Maximum)			
			Over Front			Over Side	Over Front			Over Side	Over Front	
Lift Point Height			Blade Down	Blade Up	Blade Down		Blade Up	Blade Down	Blade Up		Over Side	
3 m (9.8 ft)	Standard Stick	kg (lb)	*941 (*2,075)	*941 (*2,075)	*941 (*2,075)			*698 (*1,539)	*698 (*1,539)	*698 (*1,539)	4.09 (13.4)	
	Long Stick	kg (lb)						*699 (*1,541)	*699 (*1,541)	*699 (*1,541)	4.37 (14.3)	
1.5 m (4.9 ft)	Standard Stick	kg (lb)	*1522 (*3,356)	*1522 (*3,356)	1235 (2,723)	*1040 (*2,293)	758 (1,671)	696 (1,535)	*698 (*1,539)	*698 (*1,539)	*698 (*1,539)	4.59 (15.1)
	Long Stick	kg (lb)	*1333 (*2,939)	*1333 (*2,939)	*1333 (*2,939)	*1008 (*2,223)	748 (1,649)	685 (1,510)	*711 (*1,568)	*711 (*1,568)	*711 (*1,568)	4.84 (15.9)
0 m (0 ft)	Standard Stick	kg (lb)	*2006 (*4,423)	1312 (2,893)	1174 (2,589)			*846 (*1,865)	*846 (*1,865)	691 (1,524)	4.46 (14.6)	
	Long Stick	kg (lb)	*1933 (*4,262)	1292 (2,849)	1154 (2,545)	*1142 (*2,518)	726 (1,601)	664 (1,464)	*861 (*1,899)	681 (1,502)	624 (1,376)	4.71 (15.5)

Maximum Weight includes canopy, steel tracks, counterweight, operator, full fuel tank and angle blade.

*The above loads are in compliance with hydraulic excavator lift capacity rating standard ISO 10567:2007 and they do not exceed 87% of hydraulic lifting capacity or 75% of tipping capacity. The excavator bucket weight is not included on this chart.

304 Mini Excavator

Standard and Optional Equipment

Standard and optional equipment may vary. Consult your Cat dealer for details.

	Standard	Optional		Standard	Optional
ENGINE			OPERATOR ENVIRONMENT (continued)		
Cat® C1.7 Turbo Engine (U.S. EPA Tier 4 Final/EU Stage V)	✓		Next Generation Color LCD Monitor (IP66)	✓	
Automatic Engine Idle	✓		– Fuel Level and Coolant Temperature Gauges	✓	
Automatic Engine Shutdown	✓		– Maintenance and Machine Monitoring	✓	
Automatic Two Speed Travel	✓		– Performance and Machine Adjustments	✓	
Fuel Water Separator	✓		– Numeric Security Code	✓	
Power on Demand (not available in all regions)	✓		– Multiple Languages	✓	
Variable Displacement Piston Pump	✓		– Hour Meter with Wake Up Switch	✓	
Load Sensing/Flow Sharing Hydraulics	✓		– Jog Dial (cab only)	✓	
HYDRAULICS			Next Generation Advanced Monitor		✓
Smart Tech Electronic Pump	✓		– Touch Screen		✓
Accumulator	✓		– Site Reference System		✓
Automatic Swing Brake	✓		– High Definition Camera Capable (IP68 and IP69K)		✓
Auxiliary Hydraulic Lines	✓		– Numeric Security Code		✓
One and Two Way Auxiliary Flow	✓		UNDERCARRIAGE		
Continuous Auxiliary Flow	✓		Rubber Belt (350 mm/13.8 in)	✓	
Auxiliary Line Quick Disconnects	✓		Steel Track (350 mm/13.8 in)		✓
OPERATOR ENVIRONMENT			Steel Track with Rubber Pads		✓
Canopy or Cab (Canopy not available in some regions)	✓		Dozer Straight Blade	✓	
Cab with Air Conditioning		✓	Dozer Blade Float	✓	
Cab with Heater		✓	Angle Blade		✓
Top Guard ISO 10262:1998 Level I	✓		Tie Downs on Track Frame	✓	
ROPS – ISO 12117-2:2008	✓		BOOM, STICK AND LINKAGES		
TOPS – ISO 12117:1997	✓		One Piece Boom (2500 mm/98.4 in)	✓	
Stick Steer Mode	✓		Standard Stick (1395 mm/54.9 in)	✓	
Travel Cruise Control	✓		Long Stick (1695 mm/66.7 in)		✓
Control Pattern Changer (optional in some regions)	✓		Front Shovel Capable	✓	
Adjustable Wrist Rests	✓		Pin-On	✓	
Washable Floor Mat	✓		Dual Lock Manual Coupler		✓
Travel Pedals and Hand Levers	✓		Hydraulic Coupler		✓
No Travel Pedals and Hand Levers (optional in some regions)		✓	Thumb Ready	✓	
Machine Security	✓		Certified Lifting Eye	✓	
Standard Key with Pass Code	✓		Attachments including Couplers, Thumbs, Buckets, Augers and Hammers		✓
Push to Start with Key Fob/Pass Code		✓	2nd Auxiliary Hydraulic Lines		✓
Fabric Suspension Seat (Cab only)	✓		Bucket Divert Lines		✓
Vinyl Suspension Seat (Canopy only)	✓		Boom Lowering Check Valve		✓
Hydraulic Lockout – All Controls	✓		Stick Lowering Check Valve		✓
Retractable High Visibility Seat Belt (75 mm/3 in)	✓		Hydraulic Quick Coupler Lines		✓
Coat Hook	✓		ELECTRICAL		
Cup Holder	✓		12 Volt Battery	✓	
Storage Pocket	✓		Software (machine and monitor)	✓	
Skylight	✓		Maintenance Free Battery	✓	
Mounting Bosses for Front	✓		Battery Disconnect	✓	
Signaling/Warning Horn	✓		12 Volt Power Socket	✓	
Interior Light (Cab only)	✓		Product Link™ PL243 (regulations apply)		✓
Boom Light, Halogen (not available in all regions)	✓		Product Link PLE643 (regulations apply)		✓
LED Front Lights		✓	Travel Alarm (optional in some regions)	✓	
LED Front and Rear Lights		✓	GUARDING		
LED Boom Light		✓	Polycarbonate Half Height Front Guard (Canopy only)		✓
Utility Space for Mobile Phone	✓		Polycarbonate Front Guard (ISO 10262:1998 Level I and EN356 P5A)		✓
Mirrors, Left, Right and Rear		✓	Heavy Duty Front Guard ISO 10262:1998 Level II		✓
Camera		✓	Heavy Duty Top Guard 10262:1998 Level II (Cab only)		✓
Radio – Bluetooth®, Auxiliary, Microphone, USB (charging only) (Cab only)		✓	OTHER		
			Bio Oil Capable		✓
			Eco Drain		✓
			Water Jacket Heater		✓
			Counterweight (225 kg/496 lb)	✓	

For more complete information on Cat products, dealer services, and industry solutions, visit us on the web at www.cat.com

© 2021 Caterpillar
All rights reserved

Materials and specifications are subject to change without notice. Featured machines in photos may include additional equipment. See your Cat dealer for available options.

CAT, CATERPILLAR, LET'S DO THE WORK, their respective logos, "Caterpillar Corporate Yellow," the "Power Edge" and Cat "Modern Hex" trade dress as well as corporate and product identity used herein, are trademarks of Caterpillar and may not be used without permission.

AEHQ8377 (08-2021)
Build Number: 07A
(North America, Europe,
Australia/New Zealand)

